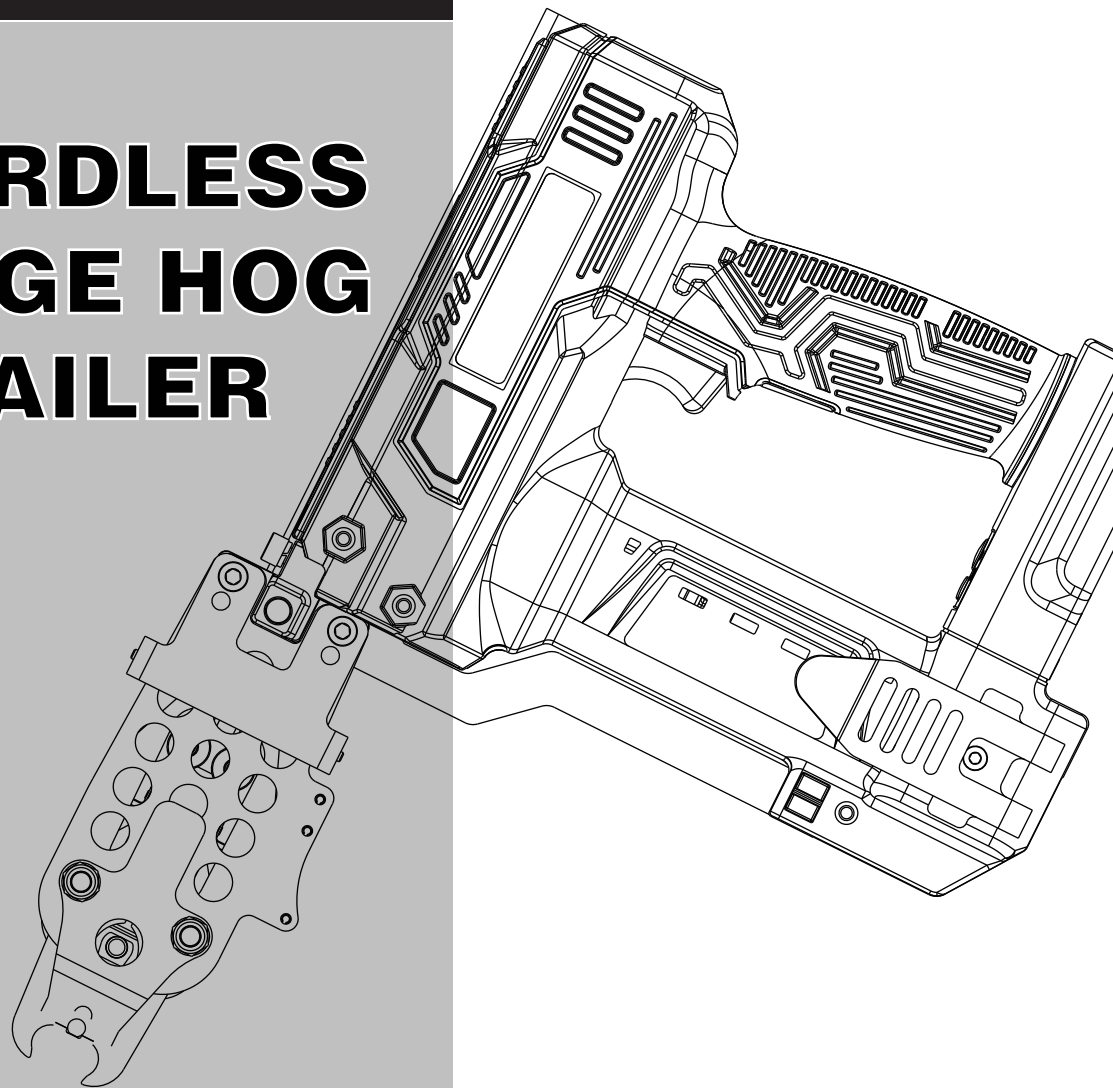


# FREEMAN

MODEL: LDC24C

## 20V CORDLESS 15 GAUGE HOG RING NAILER



**Austral Wire Products**

Ph 1300 384 981 | [www.australwire.com.au](http://www.australwire.com.au)



**WARNING:**

Failure to follow warnings could result in  
DEATH OR SERIOUS INJURY.

Save the manual for future reference. Keep your  
dated proof of purchase for warranty purpose.

<b>SYMBOLS</b>	3
<b>GENERAL SAFETY INSTRUCTIONS</b>	3 - 4
<b>NAILER SAFETY</b>	5 - 6
<b>FEATURES</b>	7
<b>SPECIFICATIONS</b>	7
<b>NAIL SPECIFICATIONS</b>	7
<b>OPERATION</b>	7-11
ATTACH BELT CLIP	7
ATTACH THE HANDLE	7
LOADING FASTENERS	8
INDICATOR LIGHT FUNCTIONS	9
FIRING THE TOOL	9
REMOVING BATTERY PACK	9
CHARGING THE BATTERY	10
BATTERIES	10
BATTERY PACK REMOVAL AND RECYCLING	10
MAINTENANCE	10
COLD WEATHER OPERATION	11
<b>TROUBLESHOOTING</b>	12-13
<b>WARRANTIES</b>	14

## WARNING

The warning and precautions discussed in this manual cannot cover all possible conditions and situations that may occur. Please be aware of the potential hazards and take all necessary precautions to avoid risk of injuries.

## SAVE THIS MANUAL

- Keep this manual for the safety warnings, precautions, operations, inspections, and maintenance information. Store this manual and the receipt in a safe and dry place for future reference.

**▲ WARNING:**  
**To avoid serious personal injury, do not attempt to use this product until you read the manual thoroughly and understand it completely. Save this manual and review it frequently for safe operation and instructing others who may use this tool.**

## SYMBOLS

- In this manual, on the labels, packages and all other information provided with this tool, the following signal words and meanings are intended to explain the levels of risk associated with this tool.

SYMBOLS	SIGNAL	MEANING
	WARNING:	Indicates a potentially hazardous situation, which, if not avoided, could result in death or serious injury.
	CAUTION:	Indicates a potentially hazardous situation, which, if not avoided, may result in minor or moderate injury.
	CAUTION:	(Without symbol) Indicates a situation that may result in property damage.

## GENERAL SAFETY INSTRUCTIONS

### CALIFORNIA PROPOSITION 65

**▲ WARNING:**  
 This product can expose you to chemicals including lead, which is known to the State of California to cause cancer and other birth defects or other reproductive harm. For more information go to [www.P65Warnings.ca.gov](http://www.P65Warnings.ca.gov).

### WORK AREA SAFETY

- **Keep work area clean and well lit.** Cluttered or dark areas invite accidents.
- **Do not operate power tools in explosive atmospheres, such as in the presence of flammable liquids, gases or dust.** Power tools create sparks which may ignite the dust or fumes.
- **Keep children and bystanders away while operating a power tool.** Distractions can cause you to lose control.

### ELECTRICAL SAFETY

- **Power tool plugs must match the outlet.** Never modify the plug in any way. Do not use any adapter plugs with earthed (grounded) power tools. Unmodified plugs and matching outlets will reduce risk of electric shock.
- **Avoid body contact with earthed or grounded surfaces such as pipes, radiators, ranges and refrigerators.** There is an increased risk of electric shock if your body is earthed or grounded.

- **Do not expose power tools to rain or wet conditions.** Water entering a power tool will increase the risk of electric shock.
- **Do not abuse the cord.** Never use the cord for carrying, pulling or unplugging the power tool. Keep cord away from heat, oil, sharp edges or moving parts. Damaged or entangled cords increase the risk of electric shock.
- **When operating a power tool outdoors, use an extension cord suitable for outdoor use.** Use of a cord suitable for outdoor use reduces the risk of electric shock.
- **If operating a power tool in a damp location is unavoidable, use a ground fault circuit interrupter (GFCI) protected supply.** Use of a GFCI reduces the risk of electric shock.
- **Use battery only with charger listed.**

### PERSONAL SAFETY

- **Stay alert, watch what you are doing and use common sense when operating a power tool.** Do not use a power tool while you are tired or under the influence of drugs, alcohol or medication. A moment of inattention while operating power tools may result in serious personal injury.
- **Use personal protective equipment.** Always wear eye protection. Protective equipment such as dust mask, non-skid safety shoes, hard hat, or hearing protection used for appropriate conditions will reduce personal injuries.

- **Prevent unintentional starting.** Ensure the switch is in the off-position before connecting to power source and/or battery pack, picking up or carrying the tool. Carrying power tools with your finger on the switch or energizing power tools that have the switch on invites accidents.
- **Remove any adjusting key or wrench before turning the power tool on.** A wrench or a key left attached to a rotating part of the power tool may result in personal injury.
- **Do not overreach.** Keep proper footing and balance at all times. This enables better control of the power tool in unexpected situations.
- **Dress properly.** Do not wear loose clothing or jewelry. Keep your hair, clothing and gloves away from moving parts. Loose clothes, jewelry or long hair can be caught in moving parts.
- **If devices are provided for the connection of dust extraction and collection facilities, ensure these are connected and properly used.** Use of dust collection can reduce dust-related hazards.
- **Do not wear loose clothing or jewelry.** Contain long hair. Loose clothes, jewelry, or long hair can be drawn into air vents.
- **Do not use on a ladder or unstable support.** Stable footing on a solid surface enables better control of the power tool in unexpected situations.

## POWER TOOL CARE AND USE

- **Do not force the power tool.** Use the correct power tool for your application. The correct power tool will do the job better and safer at the rate for which it was designed.
- **Do not use the power tool if the switch can not turn it on and off.** Any power tool that cannot be controlled with the switch is dangerous and must be repaired.
- **Disconnect the plug from the power source and/or the battery pack from the power tool before making any adjustments, changing accessories, or storing power tools.** Such preventive safety measures reduce the risk of starting the power tool accidentally.
- **Store idle power tools out of the reach of children and do not allow persons unfamiliar with the power tool or these instructions to operate the power tool.**

- **Maintain power tools.** Check for misalignment or binding of moving parts, breakage of parts and any other condition that may affect the power tool's operation. If damaged, have the power tool repaired before use. Many accidents are caused by poorly maintained power tools.
- **Keep cutting tools sharp and clean.** Properly maintained cutting tools with sharp cutting edges are less likely to bind and are easier to control.
- **Use the power tool, accessories and tool bits etc. in accordance with these instructions, considering the working conditions and the work to be performed.** Use of the power tool for operations different from those intended could result in a hazardous situation.

## BATTERY TOOL USE AND CARE

- **Recharge only with the charger specified by the manufacturer.** A charger that is suitable for one type of battery pack may create a risk of fire when used with another battery pack.
- **Use power tools only with specifically designated battery packs.** Use of any other battery packs may create a risk of injury and fire.
- **When battery pack is not in use, keep it away from other metal objects, like paper clips, coins, keys, nails, screws or other small metal objects, that can make a connection from one terminal to another.** Shorting the battery terminals together may cause burns or a fire.
- **Under abusive conditions, liquid may be ejected from the battery; avoid contact.** If contact accidentally occurs, flush with water. If liquid contacts eyes, additionally seek medical help. Liquid ejected from the battery may cause irritation or burns.

## SERVICE

- **Have your power tool serviced by a qualified repair person using only identical replacement parts.** This will ensure that the safety of the power tool is maintained.

## NAILER SAFETY

- **Always assume that the tool contains fasteners.** Careless handling of the nailer can result in unexpected firing of fasteners and personal injury.
- **Do not point the tool towards yourself or anyone nearby.** Unexpected triggering will discharge the fastener causing an injury.
- **Do not actuate the tool unless the tool is placed firmly against the workpiece.** If the tool is not in contact with the workpiece, the fastener may be deflected away from your target.
- **Disconnect the tool from the power source when the fastener jams in the tool.** While removing a jammed fastener, the nailer may be accidentally activated if it is plugged in.
- **Use caution while removing a jammed fastener.** The mechanism may be under compression and the fastener may be forcefully discharged while attempting to free a jammed condition.
- **Do not use this nailer for fastening electrical cables.** It is not designed for electric cable installation and may damage the insulation of electric cables thereby causing electric shock or fire hazards.
- **Hold power tool by insulated gripping surfaces, when performing an operation where the nail may contact hidden wiring.** Nails contacting a "live" wire may make exposed metal parts of the power tool "live" and could give the operator an electric shock.
- **Know your power tool.** Read operator's manual carefully. Learn its applications and limitations, as well as the specific potential hazards related to this power tool. Following this rule will reduce the risk of electric shock, fire, or serious injury.
- **Keep fingers away from trigger when not driving fasteners to avoid accidental firing.**
- **Use safety equipment.** Always wear eye protection. Dust mask, nonskid safety shoes, hard hat, or hearing protection must be used for appropriate conditions.
- **Protect your lungs.** Wear a face or dust mask if the operation is dusty. Following this rule will reduce the risk of serious personal injury.

- **Always wear eye protection with side shields marked to comply with ANSI Z87.1.** Everyday glasses have only impact resistant lenses. They are not safety glasses. Following this rule will reduce the risk of serious personal injury. Eye protection which conforms to ANSI specifications and provides protection against flying particles both from the FRONT and SIDE should ALWAYS be worn by the operator and others in the work area when loading, operating or servicing this tool. Eye protection is required to guard against flying fasteners and debris, which could cause severe eye injury.
- **The employer and/or user must ensure that proper eye protection is worn.** We recommend Wide Vision Safety Mask for use over eyeglasses or standard safety glasses that provide protection against flying particles both from the front and side. Always use eye protection which is marked to comply with ANSI Z87.1.
- **Additional safety protection will be required in some environments.** For example, the working area may include exposure to noise level which can lead to hearing damage. The employer and user must ensure that any necessary hearing protection is provided and used by the operator and others in the work area. Some environments will require the use of head protection equipment. When required, the employer and user must ensure that head protection conforming to ANSI Z89.1-1997 is used.
- **Protect your hearing.** Wear hearing protection during extended periods of operation. Following this rule will reduce the risk of serious personal injury.
- **Battery tools do not have to be plugged into an electrical outlet; therefore, they are always in operating condition.** Be aware of possible hazards when not using your battery tool or when changing accessories. Following this rule will reduce the risk of electric shock, fire, or serious personal injury.

- Do not place battery tools or their batteries near fire or heat. This will reduce the risk of explosion and possibly injury.
- Do not crush, drop or damage battery pack. Do not use a battery pack or charger that has been dropped or received a sharp blow. A damaged battery is subject to explosion. Properly dispose of a dropped or damaged battery immediately.
- Batteries can explode in the presence of a source of ignition, such as a pilot light. To reduce the risk of serious personal injury, never use any cordless product in the presence of open flame. An exploded battery can propel debris and chemicals. If exposed, flush with water immediately.
- Do not charge battery tool in a damp or wet location. Following this rule will reduce the risk of electric shock.
- For best results, your battery tool should be charged in a location where the temperature is more than 50°F but less than 100°F. Do not store outside or in vehicles.
- Under extreme usage or temperature conditions, battery leakage may occur. If liquid comes in contact with your skin, wash immediately with soap and water. If liquid gets into your eyes, flush them with clean water for at least 10 minutes, then seek immediate medical attention. Following this rule will reduce the risk of serious personal injury.
- Use the tool only for its intended use. Do not discharge fasteners into open air.
- Use only the nails recommended for this tool. Use of the wrong nails could result in poor nail feeding, jammed nails, and nails leaving the tool at erratic angles. If nails are not feeding smoothly and properly, discontinue their use immediately. Jammed and improperly feeding nails could result in serious personal injury.
- Never use this tool in a manner that could cause a nail to be directed toward anything other than the workpiece.
- Do not use the tool as a hammer.
- Always carry the tool by the handle.
- Do not alter or modify this tool from the original design or function without approval from the manufacturer.

- Be aware that misuse and improper handling of this tool can cause injury to yourself and others.
- Never clamp or tape the trigger or workpiece contact in an actuated position.
- Never leave tool unattended if the battery is installed.
- Do not operate this tool if it does not contain a legible warning label.
- Keep the tool and its handle dry, clean and free from oil and grease. Always use a clean cloth when cleaning. Never use brake fluids, gasoline, petroleum-based products, or any strong solvents to clean your tool. Following this rule will reduce the risk of loss of control and deterioration of the enclosure plastic.

### OPERATION SAFETY

- Do not use tool if trigger does not actuate properly. Any tool that cannot be controlled with the trigger is dangerous and must be repaired.
- Check operation of the workpiece contact mechanism frequently. Do not use the tool if the workpiece contact mechanism is not working correctly as accidental driving of a nail may result. Do not interfere with the proper operation of the workpiece contact mechanism.
- Always assume that the tool contains nails.
- Do not carry the tool from place to place holding the trigger. Accidental discharge could result.
- Always handle the tool with care:
  - Respect the tool as a working implement.
  - Never engage in horseplay.
  - Never pull the trigger unless nose is directed toward the work.
  - Keep others a safe distance from the tool while tool is in operation as accidental actuation may occur, possibly causing injury.

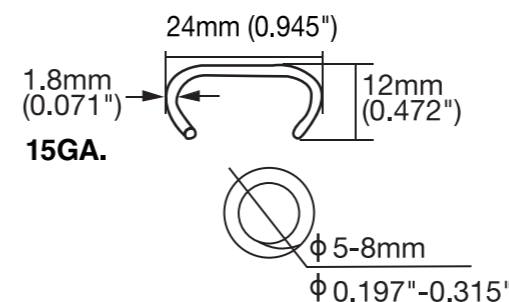
### FEATURES

- 20V lithium-ion battery power
- High strength steel muzzle
- Quick firing speed
- Ergonomically handle
- Control panel indicator light
- Belt hook
- Battery & charger included

### SPECIFICATIONS

INPUT VOLTAGE:	DC 20V Max
BATTERY TYPE:	Freeman F20
BATTERY CHARGER:	100V - 240V, 50/60Hz
MAGAZINE CAPACITY:	100pcs
FASTENERS PER CHARGE:	Up To 2000 pcs (4.0Ah)
FIRING RATE	Up to 2 times per second
MAINTENANCE FREQUENCY	Maintenance and refueling are required for every 10,000 pieces. For details, see: Fig.10

### NAIL SPECIFICATIONS



### OPERATION

#### ▲ WARNING:

Do not allow familiarity with products to make you careless. Remember that a careless fraction of a second is sufficient to inflict severe injury.

#### ▲ WARNING:

Always remove battery pack from the tool when you are assembling parts, making adjustments, cleaning, or when not in use. Removing battery pack will prevent accidental starting that could cause serious personal injury.

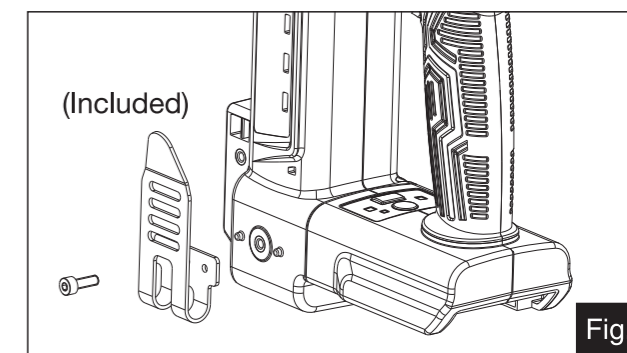
#### ▲ WARNING:

Always wear eye protection with side shields marked to comply with ANSI Z87.1. Failure to do so could result in objects being thrown into your eyes, resulting in possible serious injury.

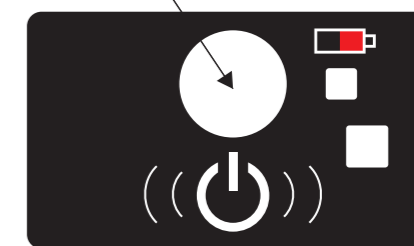
### ATTACH BELT CLIP

The belt clip can be installed on the nailer, depending on operator preference.

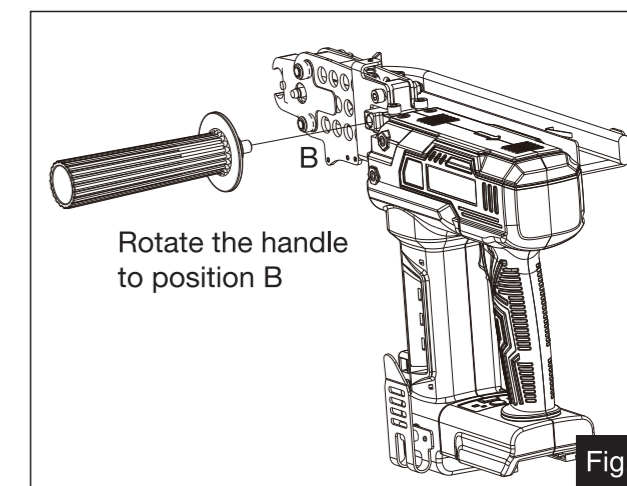
1. Remove the battery pack or press the Power Button (A) to turn off the tool before installing belt clip or hanging the tool on your belt.
2. Align belt clip and screw tightly with side screw hole.
3. Tighten securely using a M4 Hex Wrench (Included)



Power Button (A)



### ATTACH THE HANDLE



Rotate the handle to position B

**LOADING FASTENERS**

1. Remove the battery to avoid incidental injury (Fig.3).
2. Load the nails into the magazine rail (Fig.4).
3. Once the nails are properly inserted, pull the pusher(C) backwards with two fingers (Fig.5)
4. Once the pusher hit the back of magazine rail, allow the pusher (C) to slide forward and engage the nails, pushing the nails to the nose of the tool (Fig.6)

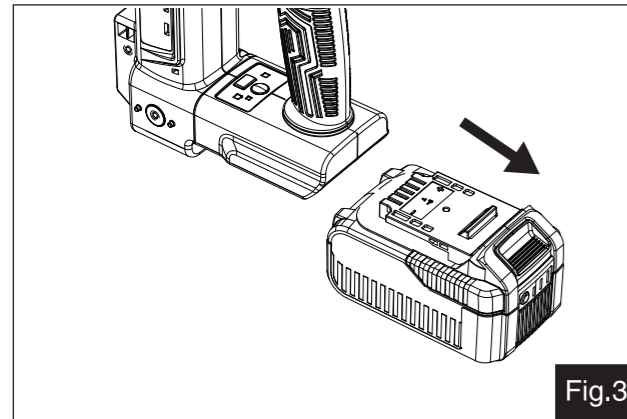


Fig.3

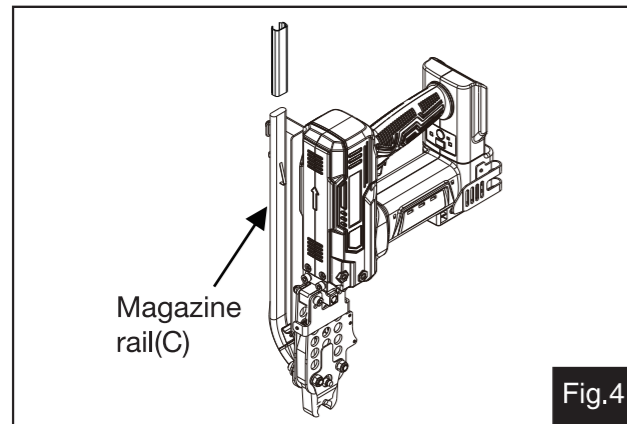


Fig.4

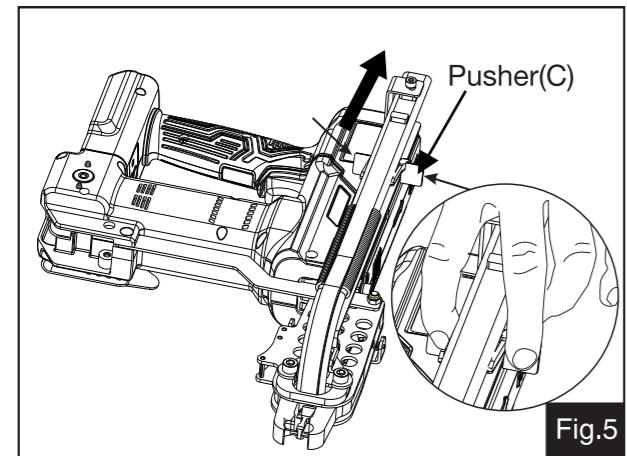


Fig.5

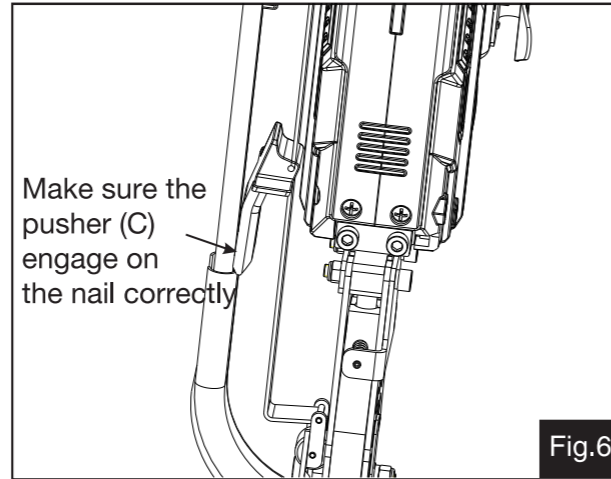


Fig.6

**▲ WARNING:**  
 1.Keep the tool pointed away from yourself and others when loading nails. Failure to do so could result in possible serious personal injury.  
 2.Make sure the power is turned off before loading nails to prevent accidental firing.

**▲ WARNING:**  
 Use only the nails recommended for use with this tool. The use of any other nails can result in tool malfunction, leading to serious injuries.

**▲ WARNING:**  
 Never load nails trigger activated. Doing so could result in possible serious personal injury.

**▲ WARNING:**  
 Keep the tool pointed away from yourself and others when loading nails. Failure to do so could result in possible serious personal injury.

**INDICATOR LIGHT FUNCTIONS**

Light 2	Steady green light	The machine is working normally
Light 1	Flashing red light	Low battery power or using a battery pack beyond the specified capacity
Light 1	Steady red light	Overcurrent protection and motor stall
Light 1, 2	The red and green lights are flashing alternately	Overheat protection

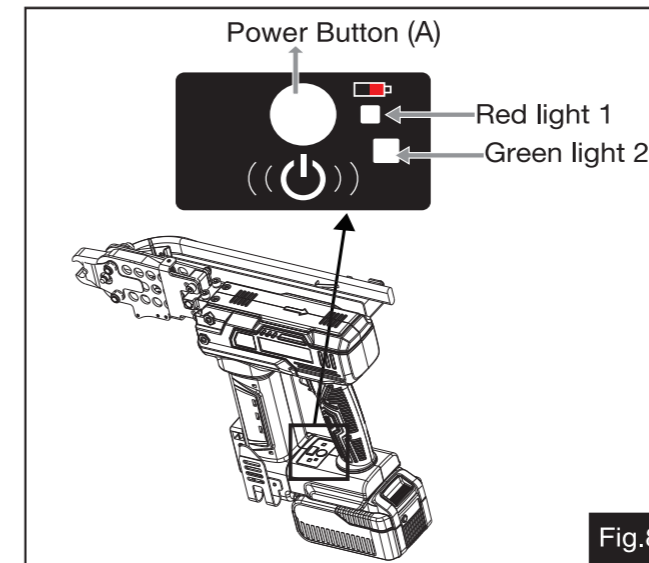


Fig.8

**FIRING THE TOOL**

1. Install the battery and turn on the power Button (A).
2. Please align the clamp with the workpiece (See Fig.7), then pull the trigger to fire.
3. Do not fire without nails to avoid damaging tool parts, such as the drive blade.
- 4.As soon as the nails have been driven, remove finger from trigger.
- 5.Press the Power Button (A) to turn off the power when finished.

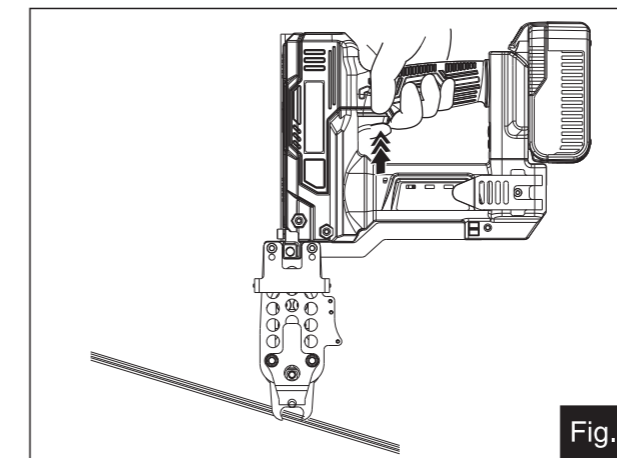


Fig.7

**▲ WARNING:**  
 Remove your finger from the trigger when not driving nails. Always carry the tool by the handle only.

**▲ WARNING:**  
 The tool has an appropriate range of use (for clamping mandrels, a diameter of 10mm or less is recommended). Do not use the tool beyond its intended range. Using the tool beyond its range could cause the nail gun overheat prematurely and reduce the machine's lifespan.

**▲ WARNING:**  
 You must remove the battery pack when the tool is not in use!

**▲ WARNING:**  
 Nailing too quickly can cause the nail gun overheat protection. Keep the nail gun cooling down for 30-60 minutes, before continuing to use it. It is recommended that the nailing frequency does not exceed 2 times per second.

**REMOVING BATTERY PACK**

1. Press battery release button (D).
2. Pull battery free from the tool.

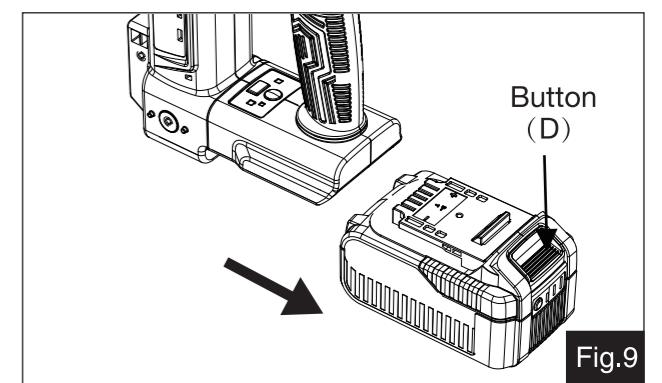


Fig.9

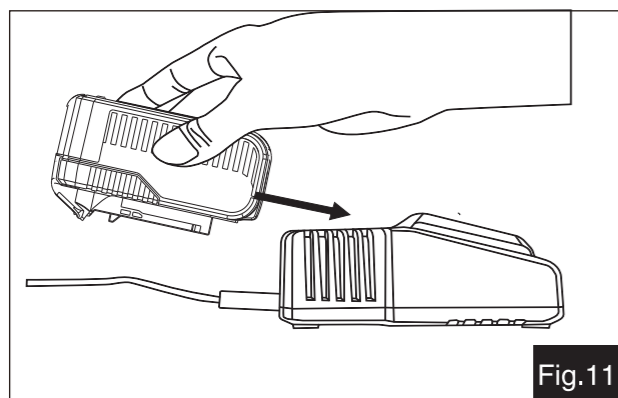
**▲ WARNING:**  
 Always know the operational mode of the tool before using. Failure to know the operational mode could result in death or serious personal injury.

**▲ WARNING:**

An improperly functioning tool must not be used. Do not actuate the tool unless the tool is placed firmly against a work piece.

**CHARGING THE BATTERY**

- To charge the battery, connect the charger to the correct power source.
- Plug the charging cord into the charging port on the battery.
- When the indication light has turned green, the battery should be fully charged.



**BATTERIES**

Batteries will wear out over time. If this happens, do not disassemble the battery and attempt to fix it. This could cause serious burns especially when wearing rings and jewelry.

To have the longest possible battery life, we suggest the following:

1. Once a battery pack has been fully charged, remove it from the charger.
2. The battery should be stored in a place with temperature range from 5°C (40°F) to 35°C (95°F) and away from moisture.
3. Batteries should be stored with a 30%-50% charge.
4. If a battery has been stored for six months or more, recharge the battery as normal.

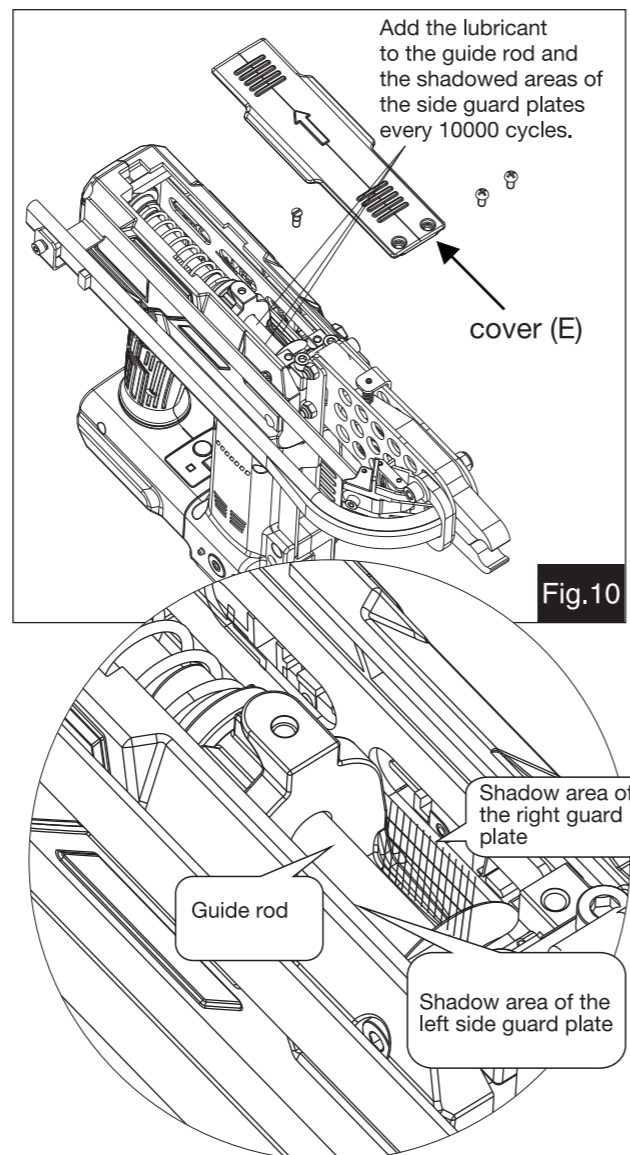
**BATTERY PACK REMOVAL AND RECYCLING**

Please recycle all worn batteries. This battery contains lithium-ion batteries. Local and state regulations may prohibit disposal of lithium-ion batteries in ordinary trash. Consult your local waste authority for information regarding available recycling and/or options.

**MAINTENANCE**

**ADD THE LUBRICANT**

Remove the cover (E) and add the lubricant to the guide rod and the shadow areas on both side guards . (Fig.10)



**▲ WARNING:**

Do not alter or modify this tool from the original design or function without approval from the manufacturer. Only use manufacturer authorized repair parts. Failure to do so could result in possible serious personal injury.

**COLD WEATHER OPERATION**

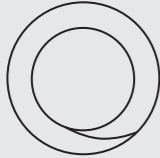
When operate the tool under freezing environments:

1. Before using the tool, be sure to keep it as warm as possible, recommended working temperature is from -20°C (-4°F) to 50°C (122°F)
2. Fire the tool into a scrap piece of material 5 to 6 times for correct tool function.

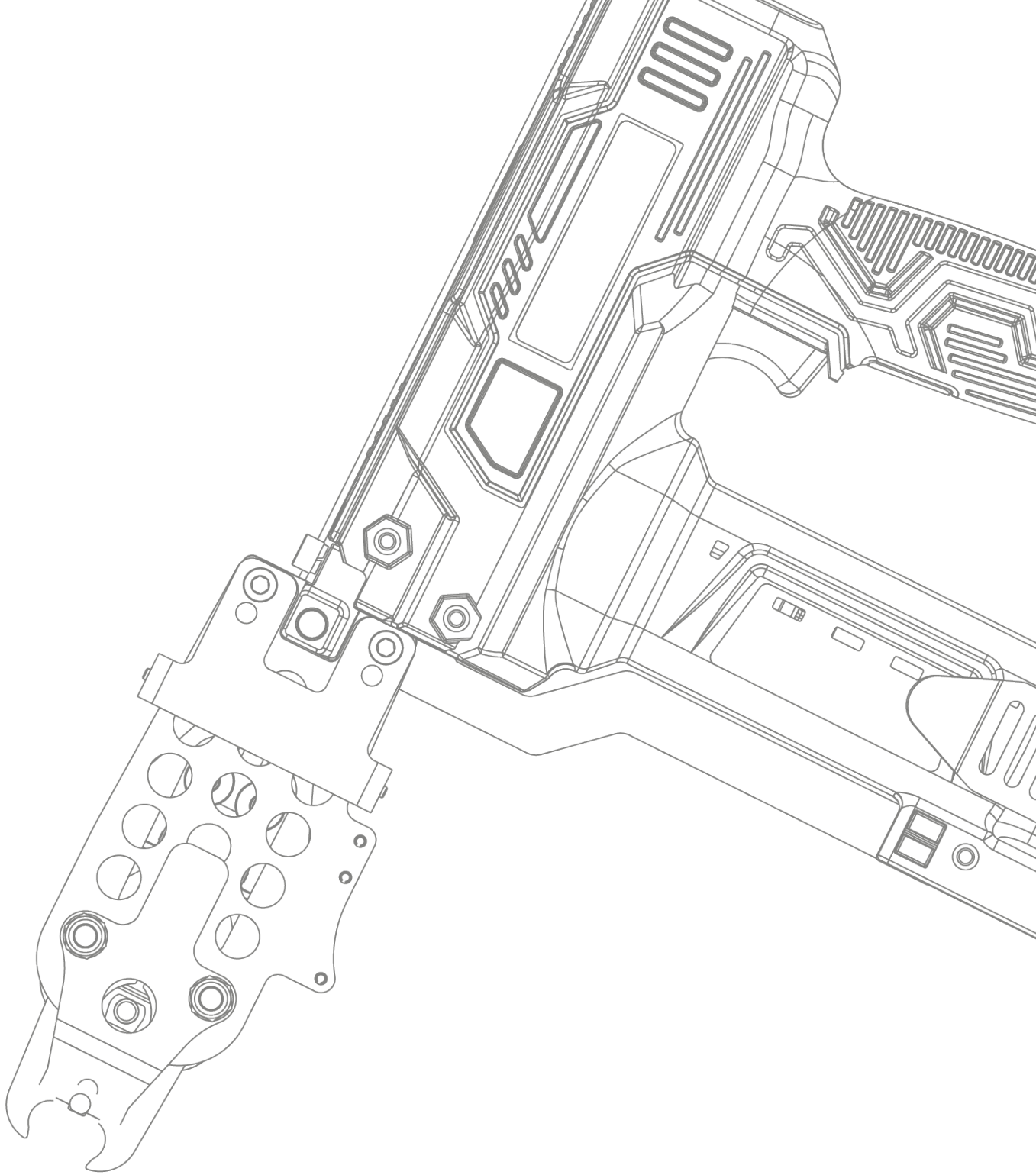
## TROUBLESHOOTING

### ⚠ WARNING:

Stop using tool immediately if any of the following problems occur. Serious personal injury could result. Any repairs or replacements must be done by a qualified service person or an authorized service center.

PROBLEM	POSSIBLE CAUSES	SOLUTION
The nail gun can't start	<ul style="list-style-type: none"> <li>Battery is damaged</li> <li>The PCB is damaged</li> </ul>	<ul style="list-style-type: none"> <li>Replace the battery</li> <li>Replace the PCB</li> </ul>
The nail gun cannot start (LED light is on normally) (Green light on the control board)	<ul style="list-style-type: none"> <li>Micro switch failure</li> <li>Motor life exhausted</li> </ul>	<ul style="list-style-type: none"> <li>Replace the micro switch</li> <li>Replace the motor</li> </ul>
Nail gun fails to start (red and green lights flashing alternately)	<ul style="list-style-type: none"> <li>Motor overheating</li> </ul>	<ul style="list-style-type: none"> <li>Cool the nail gun for 30-60 minutes</li> </ul>
Continuous firing	<ul style="list-style-type: none"> <li>Nail stuck in the jaw</li> </ul>	<ul style="list-style-type: none"> <li>Clear the jammed nail</li> </ul>
Jaw locked	<ul style="list-style-type: none"> <li>Battery pack power is too low</li> </ul>	<ul style="list-style-type: none"> <li>Replace with a fully charged battery</li> </ul>
The nail gun can't start, and the red light on the control board is flashing.	<ul style="list-style-type: none"> <li>Battery pack power is too low</li> </ul>	<ul style="list-style-type: none"> <li>Replace with a fully charged battery</li> </ul>
The nail gun can't start. The red light on the control board stays on.	<ul style="list-style-type: none"> <li>A short circuit occurred due to a machine malfunction</li> </ul>	<ul style="list-style-type: none"> <li>Clean internal parts if piston resistance is high</li> <li>Check for jammed nails or foreign objects</li> <li>Restart to test normal operation</li> <li>Contact the distributor promptly</li> </ul>
After the nail is formed, the inner diameter is too large  (Bigger than $\phi 8\text{mm}$ )	<ul style="list-style-type: none"> <li>Stop block wear</li> </ul>	<ul style="list-style-type: none"> <li>Replace the stop pin block</li> </ul>
	<ul style="list-style-type: none"> <li>Using the wrong stop block that is too short</li> </ul>	<ul style="list-style-type: none"> <li>Replace the stop pin block</li> </ul>
	<ul style="list-style-type: none"> <li>Stop block spring damage</li> </ul>	<ul style="list-style-type: none"> <li>Replace the stop pin spring</li> </ul>
	<ul style="list-style-type: none"> <li>Insufficient power</li> </ul>	<ul style="list-style-type: none"> <li>Recharge the battery or replaced with fully charged battery</li> </ul>
	<ul style="list-style-type: none"> <li>Lack of lubrication</li> </ul>	<ul style="list-style-type: none"> <li>Add lubricant</li> </ul>
	<ul style="list-style-type: none"> <li>Using the wrong jaw</li> </ul>	<ul style="list-style-type: none"> <li>Replace with the correct jaw</li> </ul>
	<ul style="list-style-type: none"> <li>Jaw wear</li> </ul>	<ul style="list-style-type: none"> <li>Replace the jaw</li> </ul>
	<ul style="list-style-type: none"> <li>Roller wear</li> </ul>	<ul style="list-style-type: none"> <li>Replace the roller</li> </ul>
	<ul style="list-style-type: none"> <li>Incorrect roller, too small</li> </ul>	<ul style="list-style-type: none"> <li>Replace the roller</li> </ul>
	<ul style="list-style-type: none"> <li>Nails used do not meet the specifications or are unqualified</li> <li>Nails are too hard</li> <li>Nail surfaces are too rough</li> <li>Nails have burrs</li> </ul>	<ul style="list-style-type: none"> <li>Use the correct hog rings</li> </ul>

PROBLEM	POSSIBLE CAUSES	SOLUTION	
Nails can't slide into jaw slot	<ul style="list-style-type: none"> <li>Nails fail to enter into the jaw with wrong nail size</li> </ul>	<ul style="list-style-type: none"> <li>Replaced with correct nails</li> </ul>	
	<ul style="list-style-type: none"> <li>Jaw top is damaged</li> <li>Wrong jaw is installed</li> </ul>	<ul style="list-style-type: none"> <li>Replace the jaw</li> <li>Inspect and replace the jaw</li> </ul>	
	<ul style="list-style-type: none"> <li>Jaws should be replaced in pairs</li> <li>Nails are not aligned, twisted, or asymmetrical</li> <li>Nails fail to form with large span of nail feet</li> </ul>	<ul style="list-style-type: none"> <li>Replace with qualified nails and check whether the jaws have suffered unnecessary wear from using unqualified nails. If there is wear, please replace the jaws.</li> </ul>	
	<ul style="list-style-type: none"> <li>Nails only curl in one jaw</li> <li>Jaw forming slot is damaged</li> </ul>	<ul style="list-style-type: none"> <li>Correct the entry angle that cannot enter one side of the jaw</li> <li>Replace the jaws</li> </ul>	
Non-smooth nail delivering	<ul style="list-style-type: none"> <li>Leaf spring is too loose</li> </ul>	<ul style="list-style-type: none"> <li>Replace the leaf spring</li> </ul>	
	<ul style="list-style-type: none"> <li>Leaf spring is damaged</li> </ul>	<ul style="list-style-type: none"> <li>Replace the spring</li> </ul>	
	<ul style="list-style-type: none"> <li>Guide rod is worn</li> <li>Nail size is too small</li> <li>Nail opening is too small</li> </ul>	<ul style="list-style-type: none"> <li>Replace the guide pin rod</li> <li>Replace the qualified nails</li> <li>Replace the qualified nails</li> </ul>	
	<ul style="list-style-type: none"> <li>Guide rod is worn</li> <li>Weldment deformation causes change in guide rod angle</li> </ul>	<ul style="list-style-type: none"> <li>Adjust the coil spring</li> <li>Replace the guide pin rod</li> </ul>	
Nail dropping & continuous nail ejection	<ul style="list-style-type: none"> <li>Too many shims cause excessive nail exit clearance</li> <li>Too few shims cause insufficient nail exit clearance</li> <li>Jaw is damaged</li> </ul>	<ul style="list-style-type: none"> <li>Reshape or replace the welded parts</li> <li>Reduce the number of adjustment shims</li> <li>Increase the number of adjustment shims</li> </ul>	
	<ul style="list-style-type: none"> <li>One-side jaw movement is not smooth</li> <li>Inner layer of the jaw guide slot is worn</li> <li>Nails have burrs</li> </ul>	<ul style="list-style-type: none"> <li>Replace the jaw</li> <li>Replace the jaw or bushing</li> <li>Replace the jaw</li> </ul>	
	<ul style="list-style-type: none"> <li>Nails are unbalanced</li> <li>Nail feet are reversed</li> <li>Nails are asymmetrical</li> </ul>	<ul style="list-style-type: none"> <li>Replace with qualified nails</li> <li>Replace with qualified nails</li> <li>Replace with qualified nails</li> </ul>	
	<ul style="list-style-type: none"> <li>Stop block is damaged</li> <li>Stop block is too short</li> </ul>	<ul style="list-style-type: none"> <li>Replace with qualified nails</li> <li>Replace the stop block</li> </ul>	
	Nails cannot be formed	<ul style="list-style-type: none"> <li>Stop block spring is fatigued</li> <li>Nail pusher is too short</li> <li>Nail back is too high</li> <li>Nail feet are too open</li> </ul>	<ul style="list-style-type: none"> <li>Replace the stop block</li> <li>Replace with a good pusher</li> <li>Replace the push nail plate</li> <li>Replace the qualified nails</li> </ul>
		<ul style="list-style-type: none"> <li>Nail shanks spread too wide</li> <li>Nail guide rod deformed</li> <li>Welded parts distorted/deformed</li> </ul>	<ul style="list-style-type: none"> <li>Replace with a good qualified nails</li> <li>Replace guide pin rod</li> <li>Replace welded parts ,with a good weld parts</li> </ul>
		<ul style="list-style-type: none"> <li>Leaf spring damaged/failed</li> <li>Nail pusher plate worn and deformed</li> <li>Jaw groove worn</li> </ul>	<ul style="list-style-type: none"> <li>Replace leaf spring</li> <li>Replace the pusher</li> <li>Replace the qualified jaw</li> </ul>
		<ul style="list-style-type: none"> <li>Use of non-qualified nails</li> </ul>	<ul style="list-style-type: none"> <li>Replace with qualified nails</li> </ul>



# FREEMAN

FREEMAN is exclusively distributed in Australia by Austral Wire Products Pty



For your enquiries and other concerns, contact us at 1300 384 981.  
Email: [enquiries@australwire.com.au](mailto:enquiries@australwire.com.au) or visit us at [www.australwire.com.au](http://www.australwire.com.au)



Austral Wire Products Pty  
15 Oatley Close, Blacktown NSW 2148

